

DeForest

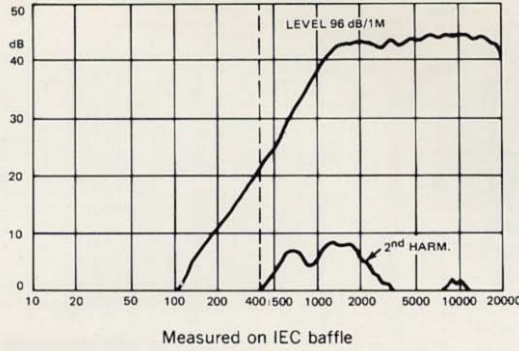
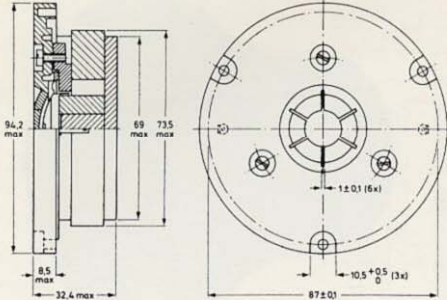


*Quality
Loudspeakers*

DOM TWEETER

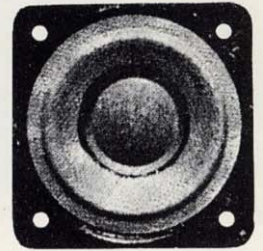
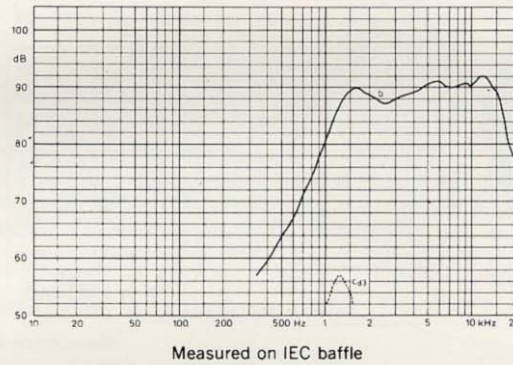
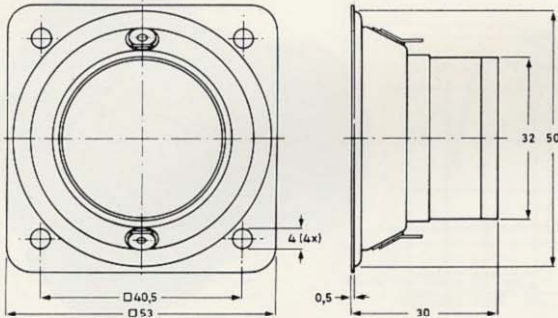
Type Number	Impedance Availability (Ω)	Resonant Frequency (Hz)	Voice Coil System Dia. (mm)	Material Type	Magnet System Weight (oz/kg)	Material Type	Max. PHC	Dome Material	Overall Weight (lbs/kg)	Main Application
AD0163/T	8/15	1000	25	Alum/Copper	10/.25	FXD 300	10 20* 50†	Textile	1.1/.5	• High Frequency Reproduction 1K-22KHZ

*Over 2000 Hz †Over 4000 Hz



CONE TWEETERS

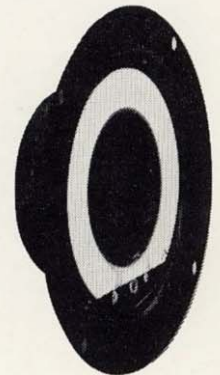
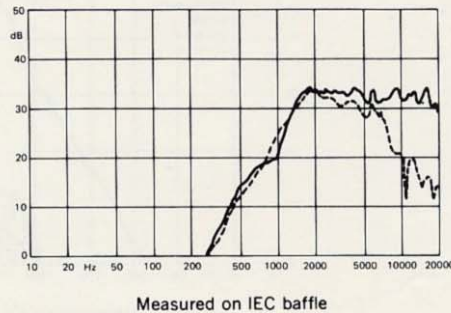
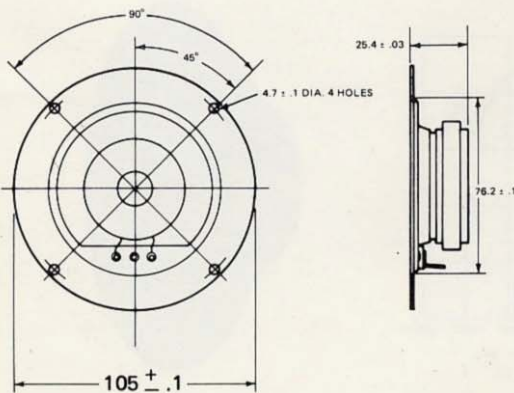
Type Number	Impedance Availability (Ω)	Resonant Frequency (Hz)	Voice Coil System Dia. (mm)	Material Type	Magnet System Weight (oz/kg)	Material Type	Max. PHC	Cone Rim	White Cone Avail.	Overall Weight (lbs/kg)	Main Application
AD2090/T	4-8	1300	18	Copper	.95/.027	Ticonal	10	Paper	No	.22/.1	• High Frequency Reproduction 2K-19KHZ
AD2290/T	4-8										
AD2295/T8	4-8	1400Hz	14.5	Copper	0.5/.013	Ticonal	10	Paper	No	.15/.07	• High Frequency Reproduction 2 K-19 KHz



CONE TWEETERS

Type Number	Impedance Availability (Ω)	Resonant Frequency (Hz)	Voice Coil System Dia. (mm)	Material Type	Magnet System Weight (oz/kg)	Material Type	Max. PHC	Cone Rim	White Cone Avail.	Overall Weight (lbs/kg)	Main Application
AD3220/T	8	2000	15	Copper	4/.11	FXD 300	20W* 40W†	Phenolic Ring	NA	.8/.36	• High Frequency Reproduction 2K to 19KHz • Multi Speaker Systems

*Over 2000 Hz †Over 5000 Hz



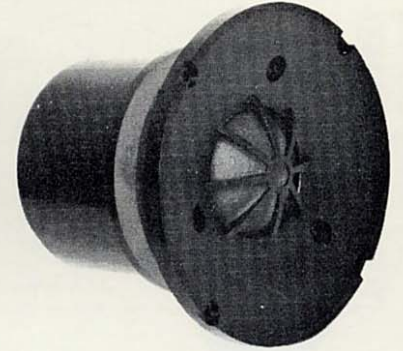
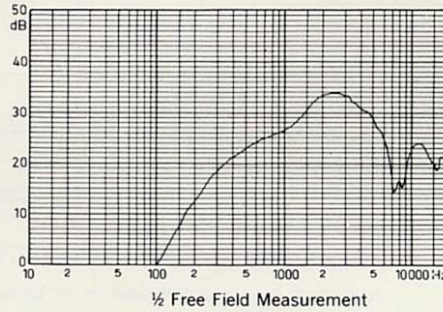
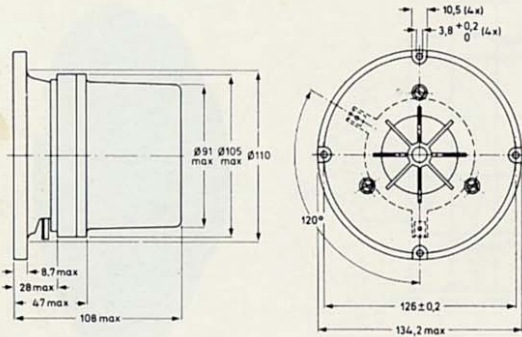
HIGH QUALITY, HIGH FIDELITY DRIVERS FOR USE IN MULTIPLE SPEAKER SYSTEMS

LOW FREQUENCY, HIGH FIDELITY REPRODUCERS

DOMES MID RANGE

Type Number	Impedance Availability (Ω)	Resonant Frequency (Hz)	Voice Dia. (mm)	Coil System Material Type	Magnet System Weight (oz/kg)	Magnet System Material Type	Max. PHC	Cone Rim	White Cone Avail.	Overall Weight (lbs/kg)	Main Application
AD0210SQ	4/8	370	35	Alum/Copper Vented Form	16/.42	FXD 300	60W*	Textile Rim Paper Dome	NA	2.2/1.0	• Mid-Range Reproduction 500-5000Hz

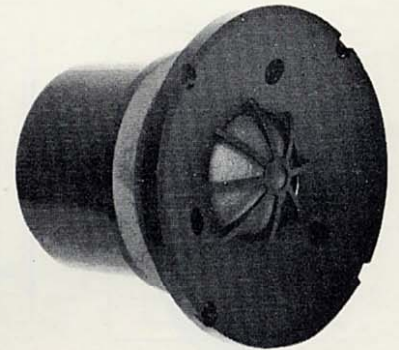
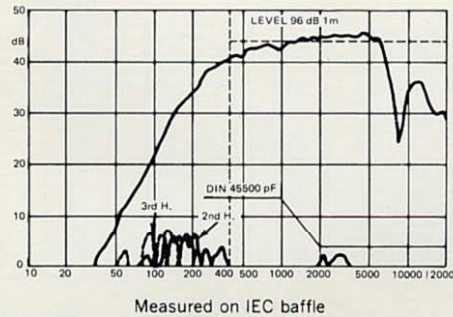
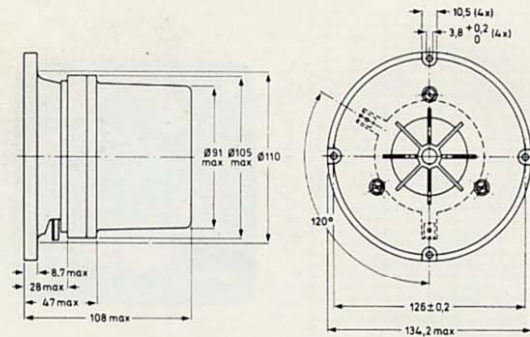
*Over 800 Hz



DOMES MID RANGE

Type Number	Impedance Availability (Ω)	Resonant Frequency (Hz)	Voice Dia. (mm)	Coil System Material Type	Magnet System Weight (oz/kg)	Magnet System Material Type	Max. PHC	Cone Rim	White Cone Avail.	Overall Weight (lbs/kg)	Main Application
AD0211SQ	4/8	370	35	Alum/Copper Vented Form	16/.42	FXD 300	60W*	Textile Rim Textile Dome	NA	2.2/1.0	• Mid-Range Reproduction 500-5000Hz

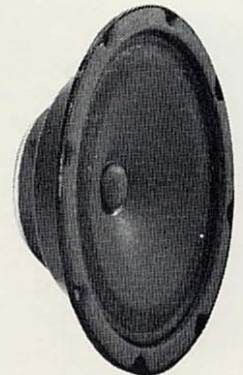
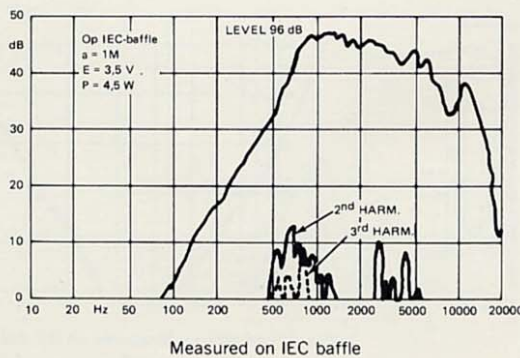
*Over 800 Hz



CONE MID RANGES

Type Number	Impedance Availability (Ω)	Resonant Frequency (Hz)	Voice Dia. (mm)	Coil System Material Type	Magnet System Weight (oz/kg)	Magnet System Material Type	Max. PHC	Cone Rim	White Cone Avail.	Overall Weight (lbs/kg)	Main Application
AD5010/SQ	8	850	15	Alum/Copper	4/.11	FXD 300	40W*	Treated Paper	NA	.7/.32	• Mid Frequency Reproduction 850Hz to 5 KHz • Multi Speaker Systems

*Over 5000 Hz

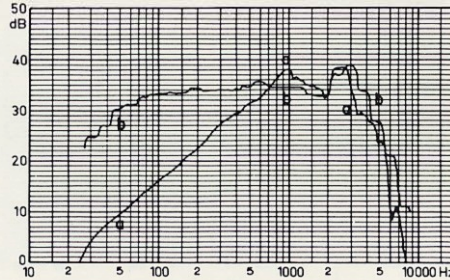
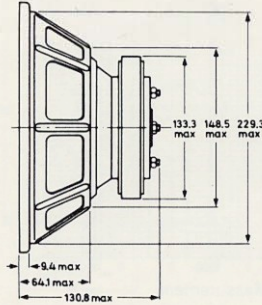
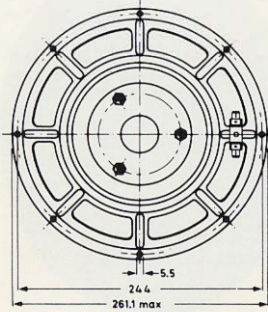


HIGH QUALITY, HIGH FIDELITY DRIVERS FOR USE IN MULTIPLE SPEAKER SYSTEMS

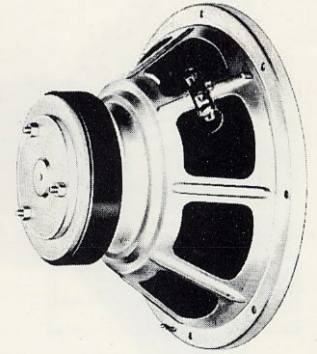
LOW FREQUENCY, HIGH FIDELITY REPRODUCERS

10" WOOFERS

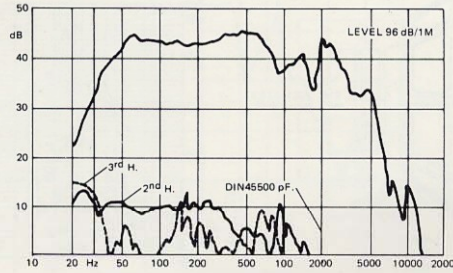
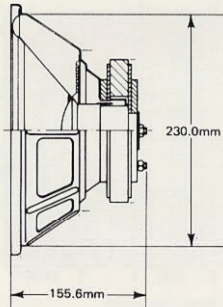
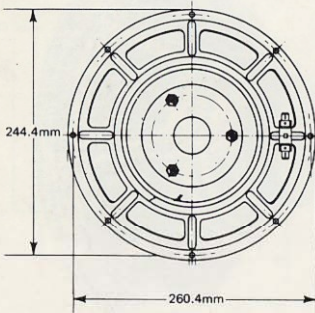
Type Number	Impedance Availability (Ω)	Resonant Frequency (Hz)	Voice Coil System Dia. (mm)	Coil System Material Type	Magnet System Weight (oz/kg)	Magnet System Material Type	Max. PHC	Cone Rim	White Cone Avail.	Overall Weight (lbs/kg)	Main Application
AD10100/W	4/8	25	50	Copper	37/1.05	FXD 300	40	Buytl Rubber	NA	6.6/3.0	<ul style="list-style-type: none"> • Low Frequency Reproduction • Multi Speaker Systems



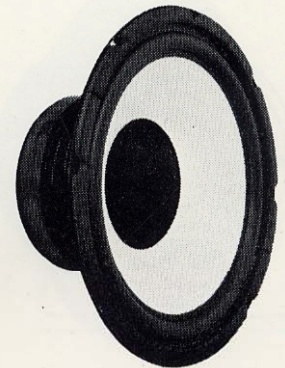
a=1/2 Free Field Measurement
b=IEC Baffle Measurement



Type Number	Impedance Availability (Ω)	Resonant Frequency (Hz)	Voice Coil System Dia. (mm)	Coil System Material Type	Magnet System Weight (oz/kg)	Magnet System Material Type	Max. PHC	Cone Rim	White Cone Avail.	Overall Weight (lbs/kg)	Main Application
AD10240/W	8	25	50	Alum/Copper	40/1.13	FXD 300	70	Foam	Yes	7.9/3.6	<ul style="list-style-type: none"> • Low Frequency Reproduction • Multi Speaker Systems

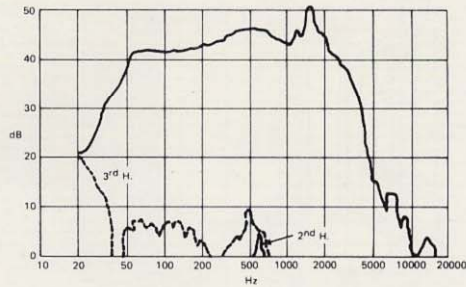
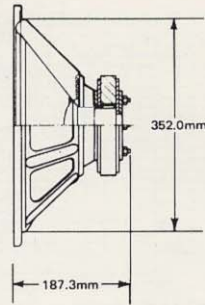
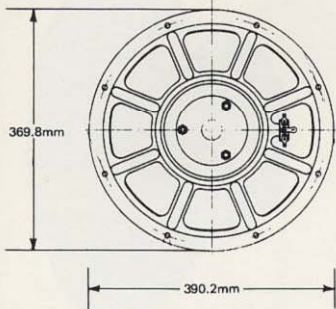


Measured on IEC baffle

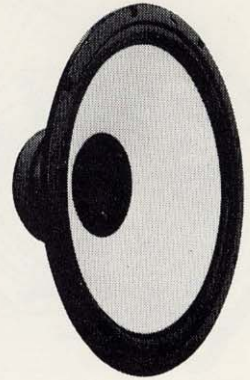


15" WOOFER

Type Number	Impedance Availability (Ω)	Resonant Frequency (Hz)	Voice Coil System Dia. (mm)	Coil Material Type	Magnet System Weight (oz/kg)	Material Type	Max. PHC	Cone Rim	White Cone Avail.	Overall Weight (lbs/kg)	Main Application
AD15240/W	8	19	50	Alum/Copper	40/1.13	FXD 300	80	Foam	Yes	90/4.08	<ul style="list-style-type: none"> • Low Frequency Reproduction • Multi Speaker Systems



Measured on IEC baffle



PASSIVE RADIATORS

Type	Size	Surround	Cone Mass	Added Mass
AD10000	10"	Foam Roll Up	14 gr.	55 gr.
AD12000	12"	Foam Roll Up	24 gr.	40 gr.
Type	Size	Surround	Cone Mass	Added Mass
AD8000	8"	Roll Up	7 gr.	24.3 gr.

CROSSOVER FILTERS

Type Number	Crossover Frequencies	Impedance (Ohms)	Lo	Slope/Octave Med.	High	Features	Rating (Watts)
TWO WAY							
AD2WXA also ADF2400/8	2400Hz	8	6dB		6dB		40
AD2WXB also ADF1600/8	1600Hz	8	6dB		12dB		40
ADF3000/8	3000Hz	8	6dB		12dB		70
ADF1500/8	1500Hz	8	6dB		12dB		70
THREE WAY							
AD3WXA also ADF500/4500/8	500/4500Hz	8 (also in 4)	6dB	6dB	12dB		40
ADF600/4000/8	600/4000Hz	8	18dB	12dB	12dB	Variable controls	60
AD3WXSP	700/3600Hz	8	12dB	12dB	12dB	All air coils, polyester capacitors	150
ADF700/2600/8	700/2600Hz	8	12dB	12dB	12dB		100
ADF700/3000/8	700/3000Hz	8	12dB	12dB	12dB		100



PHILIPS ELECTRONICS LTD
ELECTRON DEVICES DIVISION

HEAD-OFFICE — 601 MILNER AVENUE, SCARBOROUGH, ONTARIO M1B 1M8

MONTREAL

**5930 Cote de Liesse Road
Montreal, Quebec
H4T 1E1**

OTTAWA

**130 Albert Street, Suite 205
Ottawa, Ontario
K1P 5G4**

CALGARY

**621 Manitou Road
Calgary, Alberta
T5G 4C2**

VANCOUVER

**3605 Grandview Highway
Vancouver, B.C.
V5M 2G8**

PHILIPS DRIVERS - Raw Speakers

General Description - Type Number - Impedance - Cone Colour

12" Woofer AD12240/W 8 ohms White
Dome Mid-Range AD0211SQ 8 " N/A
Dome Tweeter AD0163/T 15 " N/A
Crossover Filters	.. AD3WXSP 4 " N/A

QUANTITIES

2	Items of	AD12240/W
4	"	" AD0211SQ
6	"	" AD0163/T
2	"	" AD3WXSP